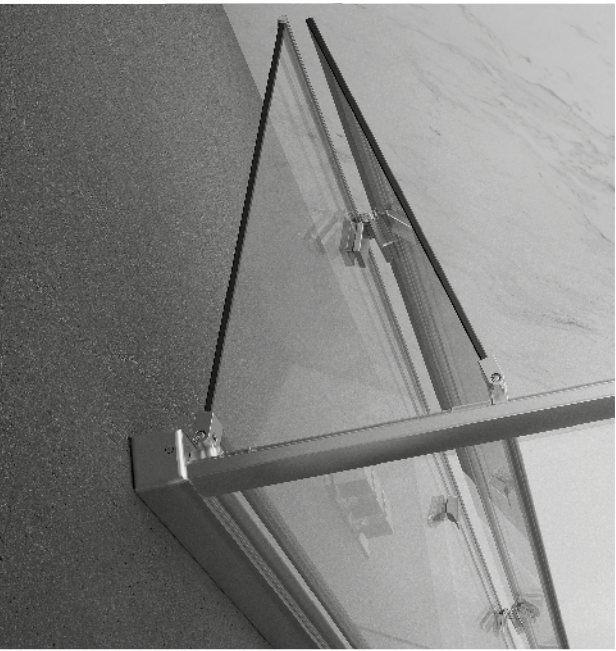


K KUDOS
SHOWERING SOLUTIONS



THE COLLECTION 2023



A Great British company producing great British products



For over 20 years Kudos have designed and manufactured high quality showering products, our 2023 collection brings together innovative design, functionality and value, helping you to create the perfect solution for your bathroom. From doors and enclosures through to shower trays, wet-room systems and over-bath screens, whichever Kudos product you choose you can be sure of getting a great British product from a Great British company.

The difference is in the detail

Every Kudos product has been hand built by craftsmen who have an enduring passion for design and an abiding commitment to quality. All covered by the Kudos lifetime guarantee* our extensive product range should provide the ideal solution for your needs, if not, then consider our bespoke shower solution which can be tailored to your exact requirements.



*See website for details.



K KUDOS

British made in
The Lake District



ultimate

7

Flat Panel Enclosures	8
Curved Panel Enclosures	12
Deflector panels, fixing kits and colour finishes	14
Create the perfect walk-in enclosure	16

ULTIMATE WALK-IN ENCLOSURES

original⁶

19

Pivot Shower Doors	20
Bi-Folding Shower Doors	22
Straight Sliding Shower Doors	24
Curved Corner Shower Doors	26

ORIGINAL⁶ SHOWER DOORS

shower trays

31

connect2 Shower Trays	32
Kstone Shower Trays	38
Flexi seal, leg sets and fascia panels	42

SHOWER TRAYS

aqua4ma wet-room system

45

Evolution Shower decks	46
Linear Shower decks	48
Create your wet-room	52

WET-ROOM SYSTEM

over-bath screens

55

inspire Bath Screens	56
ultimate10 Over Bath Panels	68
ultimate 10 Configurations	70

OVER-BATH SCREENS

bespoke

73

Bespoke Shower Solutions	74
How To Order	74

BESPOKE SOLUTIONS

ultimate walk-through: single panel, matt black hinged deflector panel x 2,
matt black front panel fixing kit x 2 and aqua4ma evolution centre waste deck



ultimate

walk-in enclosures

Stylishly minimalist and modern, yet classically elegant, Kudos ultimate walk-in enclosures complement and enhance every style of bathroom design. So give your home the kudos it deserves and step into showering luxury with a Kudos ultimate walk-in enclosure.

Features

- + 11 flat panel sizes in 8 or 10mm
- + 3 curved panel sizes in 8mm
- + 1950mm high (exc. fittings) 1985mm high (inc. fittings)
- + Toughened safety glass with Lifeshield™ easy clean coating
- + Choice of fixings to suit all situations
- + 3 deflector panel options
- + Available in silver/chrome, matt black, bright nickel, brushed nickel, polished gold and brushed gold
- + Suitable for fitting to tiled floors or shower trays

ultimate

flat panel walk-in enclosures

11 panel sizes in either 8 or 10mm toughened safety glass with Lifeshield™ easy clean coating, enable you to create virtually any configuration to suit your style and imagination. Kudos ultimate flat panel walk-in enclosures can be fitted to tiled floors or most standard shower trays, however, if fitting to a shower tray for complete peace of mind we recommend using a Kstone or the stunning connect2.

Creating a beautiful walk-in enclosure could not be easier, with so many panel sizes and fixing options, you can create virtually any style, shape or size. Available as standard in a Silver/Chrome or Matt Black finish as well as a range of special finishes. Let your imagination run wild and create the ultimate showering space with the Kudos ultimate shower panel system.

Features

- + Lifeshield™ easy clean glass coating
- + 11 Panel sizes in 8 & 10mm
- + 1950mm high (exc. fittings) 1985mm high (inc. fittings)
- + Glass to floor gasket to minimise silicone
- + Easy fit dry-seal wall post, requiring no silicone
- + Available in silver/chrome, matt black, bright nickel, brushed nickel, polished gold and brushed gold

ultimate 10mm over-bath panels also available see page 68

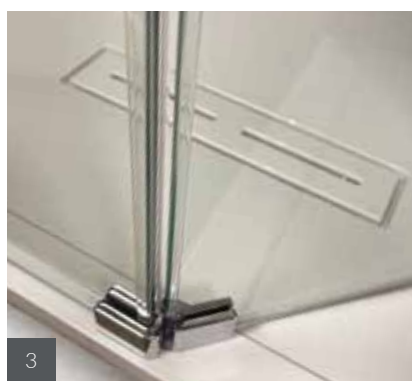


ultimate corner: 2 single panels, 1 wall post, 1 front panel fixing kit,
one fold away deflector panel on a connect2 tray.



ultimate

ultimate in versatility



1. ultimate recess 1x ultimate panel, 1x matt black wall post, 1x matt black stabilising arm and aqua4ma Evolution end waste deck
2. L/H Fold away deflector panel in 'closed' position
3. L/H Fold away deflector panel in 'open' position



ultimate recess: 1 panel, 1 x matt black wall post, 1 x matt black front panel fixing kit,
1 x aqua4ma evolution centre waste deck



ultimate

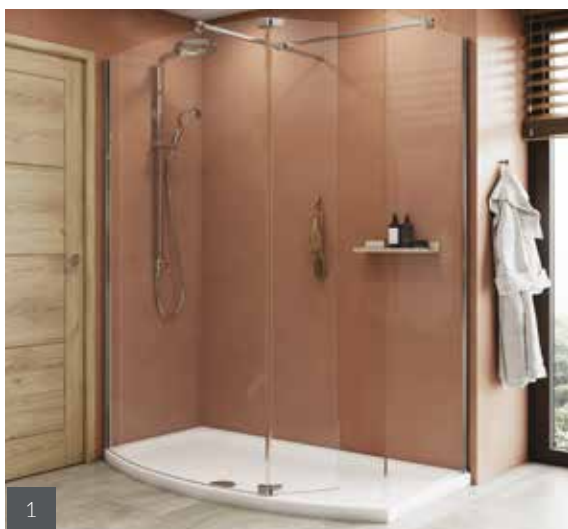
space efficient curved panel enclosures

These unique elegantly designed Bow Fronted walk-in enclosures are the perfect solution for smaller bathrooms or where wall space is restricted.

Combining 8mm curved toughened glass panels with Kudos Concept Bow Fronted shower trays, ultimate curved panel walk-in enclosures make an ideal bath replacement especially where a door or window position restricts the available depth of the showering area. Available in three sizes, to suit 1200mm, 1500mm, 1700mm curved trays measuring just 700mm at each end providing the bather with a generous showering area for comfort and enjoyment.

Features

- + Lifeshield™ easy clean glass coating
- + 3 Panel sizes in 8mm (700mm, 1000mm, 1200mm) for 1200mm, 1500mm and 1700mm bow fronted trays
- + 1950mm high exc. fittings. 1985mm high inc. fittings
- + Glass to floor gasket to minimise silicone.
- + Easy fit dry-seal wall post, requiring no silicone
- + Available in silver/chrome, matt black, bright nickel, brushed nickel, polished gold and brushed gold



-
1. ultimate curved corner with flat side panel, wall post, L/H hinged deflector panel and concept bow fronted tray
 2. ultimate curved corner with flat side panel, wall post, L/H hinged deflector panel and concept bow fronted tray

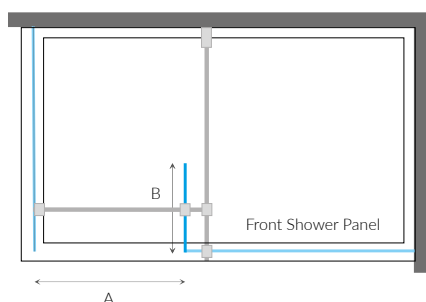


Ultimate deflector panels, fixing kits and colour finishes.

Deflector Panels

Designed to contain the majority of over-spray and splashing within the showering area, Kudos ultimate deflector panels are available in three styles, each option is able to be retro-fitted and can be added at a later date if required.

Enjoy the pleasure and appearance of a walk-in shower even where space is at a premium. With the ability to fit a deflector panel it is now possible to create a functional and stunning enclosure even as small as 1400mm.

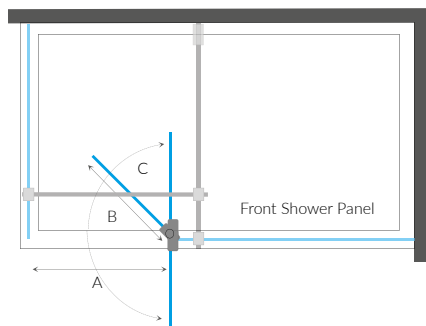


A = Rec min access 500mm
B = 265mm

Fixed Deflector Panel:

Supplied with fixings to connect to standard fixing kit recess or corner. This 255mm fixed deflector panel provides a 90° angled barrier to prevent splashing outside of the showering area.

Not suitable for use with angled or ceiling fixing kit. Not for use with curved panels

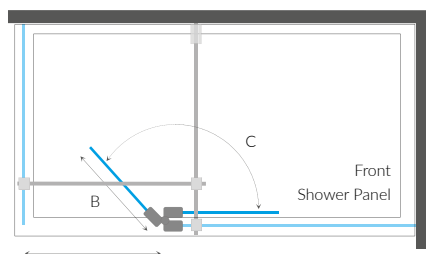


A = Rec min access 500mm
B = 300mm or 400mm
C = 180° rotation for easy access

Hinged Deflector Panel:

Available in 300 and 400mm widths in both 8 & 10mm glass thickness, the hinged deflector rotates through 180° for easy access. Featuring heavy duty hinges with crystal clear seals for minimalist appearance. Available in both 8 & 10mm glass thickness and featuring heavy duty hinges and crystal clear vertical seal.

Suitable for use with flat and curved panel enclosures and all ultimate fixing kits



A = Rec min access 500mm
B = 300mm
C = 135° rotation stops at optimum position for maximum overspray protection

Fold-Away Hinged Deflector Panel:

Designed to fit neatly behind the front panel when not in use, the 300mm Fold-Away deflector panel stops at a 45° angle to the front panel when in use to provide the optimum protection from over-spray. Available in both 8 & 10mm glass thickness.

Suitable for use with flat panel enclosures and all ultimate fixing kits

Note: All ultimate Hinged Deflector Panels are handed please suffix codes with LH or RH. All illustrations show Right Hand option.

Fixing Kits

To secure your shower panel we offer a number of fixing options.

For maximum stability we recommend the Standard fixing kit, available for both front panel and side panels. However, if it is not possible to use this style of fixing, we also offer an angled fixing kit in 2 sizes or a glass to ceiling support which can be cut to the desired length.



Standard Fixing Kit

Shown: Front panel fixing kit with side panel fixing kit. Each stabilising bar is 1000mm long and can be cut to suit. A 1500mm front panel kit is also available.



Angled Fixing Kit

Available in 300mm or 500mm options.



Ceiling Fixing Kit

Ceiling fixing bar is 600mm long and can be cut to suit ceiling height.

See page 16 for suitability of fixings based on the configuration of your walk-in enclosure.

Colour Finishes

Kudos ultimate fittings are available in Chrome/Silver, Matt Black, Brushed Nickel and Brushed Gold. In addition both Bright Nickel and Polished Gold are available to special order.



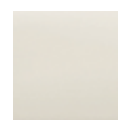
Silver/Chrome



Matt Black



Brushed Nickel



Bright Nickel



Brushed Gold



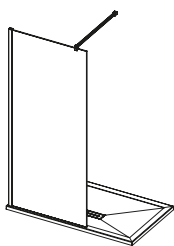
Polished Gold

ultimate 10mm over bath panels also available see page 68



Create the walk-in that is perfect for your bathroom.

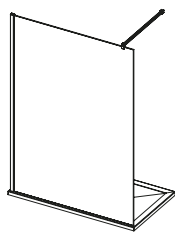
Flat Panel Configurations



Recessed

- 1 x Glass Panel
- 1 x Wall Post
- 1 x Front Panel Fixing Kit*

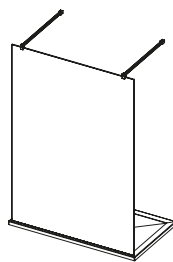
*Standard, Ceiling or Angled



Open Ended

- 1 x Glass Panel
- 1 x Wall Post
- 1 x Front Panel Fixing Kit*

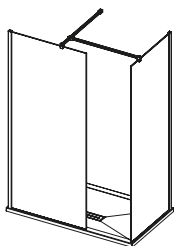
*Standard, Ceiling or Angled



Walk Through

- 1 x Glass Panel
- 2 x Front Panel Fixing Kits*

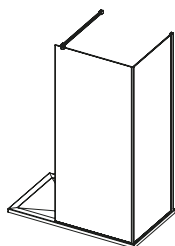
*Standard



Corner

- 1 x Glass Panel (Front)
- 1 x Glass Panel (Side)
- 2 x Wall Posts
- 1 x Front Panel Fixing Kit*
- 1 x Side Panel Fixing Kit*

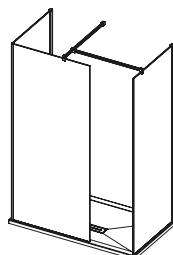
*Standard, Ceiling or Angled



Corner (glass to glass)

- 1 x Glass Panel (Front)
- 1 x Glass Panel (Side)
- 1 x Wall Post
- 1 x Front Panel Fixing Kit*
- 1 x Corner Seal

*Standard, Ceiling or Angled

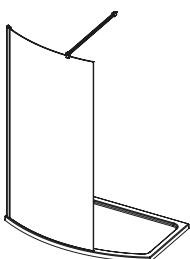


Three Sided

- 1 x Glass Panel (Front)
- 2 x Glass Panels (Side)
- 2 x Wall Posts
- 1 x Front Panel Fixing Kit*
- 1 x Side Panel Fixing Kit*
- 1 x Corner Seal

*Standard, Ceiling or Angled

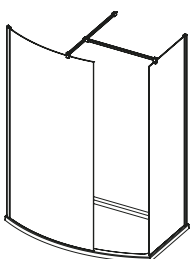
Curved Panel Configurations



Recessed

- 1 x Curved Glass Panel
- 1 x Wall Post
- 1 x Standard Fixing Kit*

*Standard, Ceiling or Angled



† Corner

- 1 x Curved Glass Panel
- 2 x Wall Posts
- 1 x Flat Glass Panel
- 1 x Standard Front Panel Fxing Kit**

*Standard, Ceiling or Angled

† For corner enclosures on a bowed front tray, use a standard 700mm flat panel for the side panel.

**If using a 700mm side panel then an angled fixing kit is preferred.

Flat Panels

Codes & Dimensions

Panel Sizes*	Product Code 8mm Glass	Product Code 10mm Glass
400mm Glass Panel	5WP400	10WP400
500mm Glass Panel	5WP500	10WP500
600mm Glass Panel	5WP600	10WP600
700mm Glass Panel	5WP700	10WP700
760mm Glass Panel	5WP760	10WP760
800mm Glass Panel	5WP800	10WP800
900mm Glass Panel	5WP900	10WP900
1000mm Glass Panel	5WP1000	10WP1000
1100mm Glass Panel	5WP1100	10WP1100
1200mm Glass Panel	5WP1200	10WP1200
1400mm Glass Panel	5WP1400	10WP1400
Glass to Glass Corner Seal	5WPCS	10WPCS

*Sizes shown are nominal. All panels are undersized by 45mm to allow for tiling when fitting to shower trays. When choosing your panel size we recommend allowing access of approx. 500mm.

Ultimate flat panel walk-in enclosures can be fitted to tiled floors or most standard shower trays, however if fitting to a shower tray for complete peace of mind we recommend using a Kudos Kstone or the stunning connect2.

Curved Panels

Codes & Dimensions

Panel Sizes*	Product Code
700mm Curved Panel (for 1200mm tray)	5WPCV700
1000mm Curved Panel (for 1500mm tray)	5WPCV1000
1200mm Curved Panel (for 1700mm tray)	5WPCV1200

Add 700mm flat panel to create a corner enclosure

Shower Panels for Space Efficient Enclosures (8mm only) **

*Sizes shown are nominal. All panels are undersized by 45mm to allow for tiling when fitting to shower trays. When choosing your panel size we recommend allowing access of approx. 500mm.

**Designed to fit a dedicated Bowed Fronted concept tray. Ultimate curved panels can be fitted direct to a tiled floor, however unless the wet floor area is shaped to match the curve of the panel drainage may be impaired

Fittings required for the SE enclosures, with the exception of the wall post, are the same as those shown for the equivalent flat panel enclosures.

Fixings & Deflector Panels

Description	Silver/Chrome Product Code	Matt Black Product Code	Brushed Nickel Product Code	†† Bright Nickel Product Code	Brushed Gold Product Code	†† Polished Gold Product Code
Wall Post for Flat Glass Panels	10WPK	10WPKMBK	10WPKBRN	10WPKBN	10WPKBRG	10WPKPG
Wall Post for SE Curved Glass Panels	10WPKCV	10WPKCVMBK	10WPKCVBRN	10WPKCVBN	10WPKCVBRG	10WPKCVPG
Front Panel Fixing Kit Standard (1000mm)	10WPFPFK	10WPFPFKMBK	10WPFPFKBRN	10WPFPFKBN	10WPFPFKBRG	10WPFPFKPG
Front Panel Fixing Kit (1500mm)	10WPFPFK150	10WPFPFK150MBK	10WPFPFK150BRN	10WPFPFK150BN	10WPFPFK150BRG	10WPFPFK150PG
Side Panel Fixing Kit	10WPSPFK	10WPSPFKMBK	10WPSPFKBRN	10WPSPFKBN	10WPSPFKBRG	10WPSPFKPG
Glass to Ceiling Fixing Kit	10WPGC	10WPGCMBK	10WPGCBRN	10WPGCBN	10WPGCBRG	10WPGCPG
Angled Fixing Kit (300mm)	10WPGW30	10WPGW30MBK	10WPGW30BRN	10WPGW30BN	10WPGW30BRG	10WPGW30PG
Angled Fixing Kit (500mm)	10WPGW50	10WPGW50MBK	-	-	-	-
Fixed Deflector Panel 8mm Glass	5WPDEF	5WPDEFMBK	-	-	-	-
Fixed Deflector Panel 10mm Glass	10WPDEF	10WPDEFMBK	-	-	-	-
Hinged Deflector Panel (300mm) 8mm Glass †	5WPHINDP	5WPHINDPMBK	-	-	-	-
Hinged Deflector Panel (300mm) 10mm Glass †	10WPHINDP	10WPHINDPMBK	-	-	-	-
Hinged Deflector Panel (400mm) 8mm Glass †	5WPHINDP400	5WPHINDP400MBK	-	-	-	-
Hinged Deflector Panel (400mm) 10mm Glass †	10WPHINDP400	10WPHINDP400MBK	-	-	-	-
Fold Away Deflector Panel (300mm) 8mm Glass †	5WPFADP	5WPFADPMBK	5WPFADPBRN	5WPFADPBN	5WPFADPBRG	5WPFADPPG
Fold Away Deflector Panel (300mm) 10mm Glass †	10WPFADP	10WPFADPMBK	10WPFADPBRN	10WPFADPBN	10WPFADPBRG	10WPFADPPG

† Hinged and Fold-away deflector panels are handed please suffix codes with LH or RH

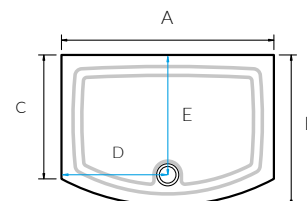
†† Bright Nickel (BN) and Polished Gold (PG) are to special order, please allow 8 weeks

Shower Trays for Curved Panel Enclosures

Shower Tray Codes & Dimensions

Tray Sizes	Standard High Gloss Product Code	SR (Slip Resistant) Product Code	Dimensions (mm)				
			A	B	C	D	E
1200mm x 700mm	DB120W	DB120WSR	1200	850	700	600	677
1500mm x 700mm	DB150W	DB150WSR	1500	888	700	750	714
1700mm x 700mm	DB170W	DB170WSR	1685	910	700	843	737

Overhead Diagrams



Kudos Concept Bow Fronted shower trays

Manufactured from an Acrylic capped ABS skin with a structured resin bonded stone filler. All sizes are available in a high gloss finish or with the new Kudos SR slip resistant matt finish.

1200mm pivot wide door with 900mm side panel on a Connect2 tray



original6

collection

Hand built to exacting standards and manufactured with the same attention to detail that has become synonymous with the Kudos brand, the original6 collection features 6mm toughened safety glass throughout.

Offering a choice of recess and corner enclosures in sliding, pivot and bi-fold options, there's an original6 enclosure to suit everyone.

Features

- + 1950mm high
- + 6mm toughened safety glass throughout
- + Crystal clear seals
- + 20mm adjustment on each wall post
- + Frameless doors
- + Lifetime guarantee
- + Lifeshield Glass Protection

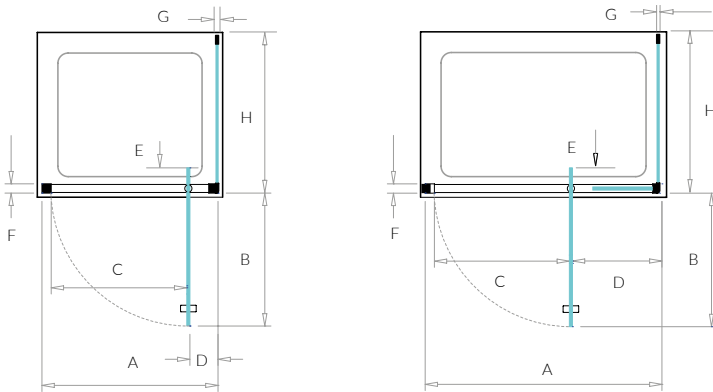
original6

pivot doors

A combination of perfect simplicity with elegant style and precise engineering, the original6 pivot door provides the ideal showering solution. From the minimalist chrome plated cast metal handle to the smooth action of the pivot mechanism, these doors can be fitted either as a recess or corner installation.

Features

- + 6mm toughened safety glass throughout
- + 1950mm high
- + Lifeshield™ Glass Protection
- + Crystal clear seals
- + Nylok and stainless steel pivot mechanism
- + Pivot adjustment for precise closing
- + 20mm adjustment on each wall post
- + Die cast chromed handle



original6 pivot and pivot wide doors can be fitted to open either to the left or right

All doors suitable for corner or recess fixing

Codes & Dimensions

Door Size	Product Code	Adjustments (mm)		Dimensions (mm)						
		RECESS (door only)	CORNER (door +1 side panel)	B	C	D	E	F	G	H
		A	A							
760mm	601010	715-755	732-752	506	516	140-160	78	45	-	-
800mm	601015	755-795	772-792	546	556	140-160	78	45	-	-
900mm	601020	855-895	872-892	646	656	140-160	78	45	-	-
1000mm	602010	955-995	972-992	546	516	380-400	78	45	-	-
1200mm	602015	1155-1195	1172-1192	646	656	440-460	78	45	-	-

Side Panel Size

700mm	605010	-	-	-	-	-	-	-	16	672-692
760mm	605015	-	-	-	-	-	-	-	16	732-752
800mm	605020	-	-	-	-	-	-	-	16	772-792
900mm	605025	-	-	-	-	-	-	-	16	872-892

Optional Items

Optional Items	Product Code
15mm Wall Profile Extension For Door Only	607010

All original6 doors can be extended in increments of 15mm with a door extension post (maximum of 2 per side)

Pivot door in recess



original6

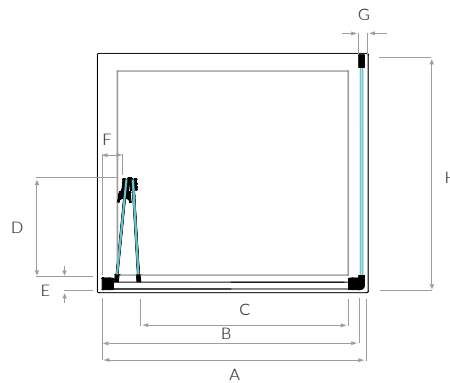
bi-folding doors

This space saving original6 bi-folding door runs on a concealed bearingless guide system which ensures a smooth and silent opening and closing function. With Click-to-Lock hinges on the frameless door, closing feels precise and firm.

These inward folding doors are perfect where external space is limited and can be fitted between two walls (recess fitting) or combined with a semi-frameless side panel to create a corner installation.

Features

- + 6mm toughened safety glass throughout
- + 1950mm high
- + Suitable for Recess & Corner installations
- + Lifeshield™ Glass Protection
- + Crystal clear seals
- + Bearingless Guides for smooth movement
- + Frameless Door
- + Click to Lock Hinges
- + 20mm adjustment on each wall post
- + Die cast chromed handle



Codes & Dimensions

Door Size	Product Code	Adjustments (mm)		Dimensions (mm)					
		RECESS (door only)	CORNER (door +1 side panel)	C	D	E	F	G	H
		A	B						
760 mm	604010	715-755	730-750	550	300	44	70	-	-
800 mm	604015	755-795	770-790	590	320	44	70	-	-
900 mm	604020	855-895	870-890	690	370	44	70	-	-

Side Panel Size

700mm	605010	-	-	-	-	-	-	16	672-692
760mm	605015	-	-	-	-	-	-	16	732-752
800mm	605020	-	-	-	-	-	-	16	772-792
900mm	605025	-	-	-	-	-	-	16	872-892

All doors suitable for corner or recess fixing

All original6 doors can be extended in increments of 15mm with a door extension post (maximum of 2 per side)

original6 bi-fold doors can be fitted to open either to the left or right

Optional Items

Product	Product Code
15mm Wall Profile Extension For Door Only	607010



800mm Bi-Fold door, 800mm side panel on a connect2 tray



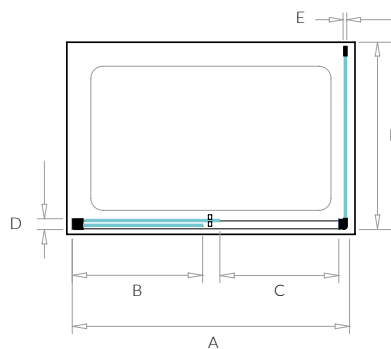
original6

straight sliding doors

Concealed twin wheel rollers with stainless steel bearings and dynamic adjustment provide a smooth and precise closing action whilst the quick release bottom guides allow for easy cleaning between the fixed and sliding panels. original6 straight sliders maintain the tradition of attention to detail that has made Kudos the leading UK manufacturer of shower doors and enclosures. This elegant and stylish shower is suitable for recess or corner installations.

Features

- + 6mm toughened safety glass throughout
- + 1950mm high
- + Suitable for Recess & Corner installations
- + Lifeshield™ Glass Protection
- + Crystal clear seals
- + Concealed twin wheel rollers with dynamic adjustment
- + Quick release bottom guides for easy cleaning
- + 20mm adjustment on each wall post



Codes & Dimensions

Door Size	Product Code	Adjustments (mm)		Dimensions (mm)				
		RECESS (door only)	CORNER (door +1 side panel)	B	C	D	E	F
		A	A					
1000mm	603010	955-995	972-992	450-470	382	45	-	-
1100mm	603015	1055-1095	1072-1092	500-520	432	45	-	-
1200mm	603020	1155-1195	1172-1192	550-570	482	45	-	-
1400mm	603025	1355-1395	1372-1392	750-770	482	45	-	-
1500mm	603030	1455-1495	1472-1492	850-870	482	45	-	-

Side Panel Size

700mm	605010	-	-	-	-	-	16	672-692
760mm	605015	-	-	-	-	-	16	732-752
800mm	605020	-	-	-	-	-	16	772-792
900mm	605025	-	-	-	-	-	16	872-892

All doors suitable for corner or recess fixing

All original6 doors can be extended in increments of 15mm with a door extension post (maximum of 2 per side)

original6 straight sliding doors can be fitted to open either to the left or right

Optional Items

Product	Product Code
15mm Wall Profile Extension For Door Only	607010



1400mm straight sliding door, 800mm side panel on a Connect2 tray



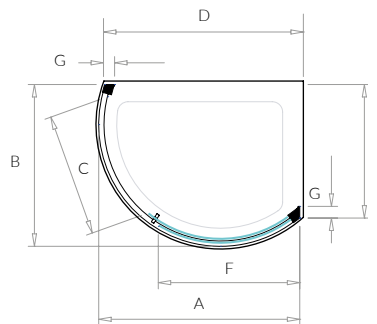
original6

curved corner sliding doors

With the same technical features of the straight sliders the unique shape of the original6 curved corner sliders bring a new dimension to corner enclosures. The key element of the original6 curved sliders is that both the sliding panel and the fixed panel are curved, this provides additional stability and allows the sliding panel to remain within the framework of the enclosure ensuring a smoother opening and closing action. This unique design provides an additional benefit of requiring less wall space than would normally be needed for enclosures of this size.

Features

- + 6mm toughened safety glass throughout
- + 1950mm high
- + Suitable for corner installations only
- + Lifeshield™ Glass Protection
- + Crystal clear seals
- + Concealed twin wheel rollers with dynamic adjustment
- + Quick release bottom guides for easy cleaning
- + 20mm adjustment on each wall post



Codes & Dimensions

Door Size	Product Code	Adjustments (mm)	Dimensions (mm)					
			A	B	C	D	E	F
910 x 910mm curved enclosure	606010	880-895	880-895	575	805-820	805-820	707-722	58
1000 x 810mm offset curved enclosure	606015	970-985	780-795	575	943-958	643-658	717-722	58

All **original6** doors can be extended in increments of 15mm with a door extension post (maximum of 2 per side)

original6 curved doors can be fitted to open either to the left or right

Optional Items

Product	Product Code
15mm Wall Profile Extension For Door Only	607010

Shower Trays

Size (Length x Width)	Standard High Gloss Product Code	*SR (Slip Resistant) Product Code	Slate Finish Product Code
Curved 910mm	C2T91C	C2T91CSR	C2T91CSLGR
Offset Curved 1000mm x 810mm**	C2T10081C	C2T10081CSR	C2T10081CSLGR

Due to the unique shape of the **Original6** Curved Corner Sliders they require a dedicated shower tray, see **page 37** for details of the stunning connect2 tray made specifically for these products.

Please add **LH or **RH** to the product code to indicate left or right handing.



910mm curved corner sliding door



pinnacle**8**
collection

Find out more about our stunning pinnacle8 collection

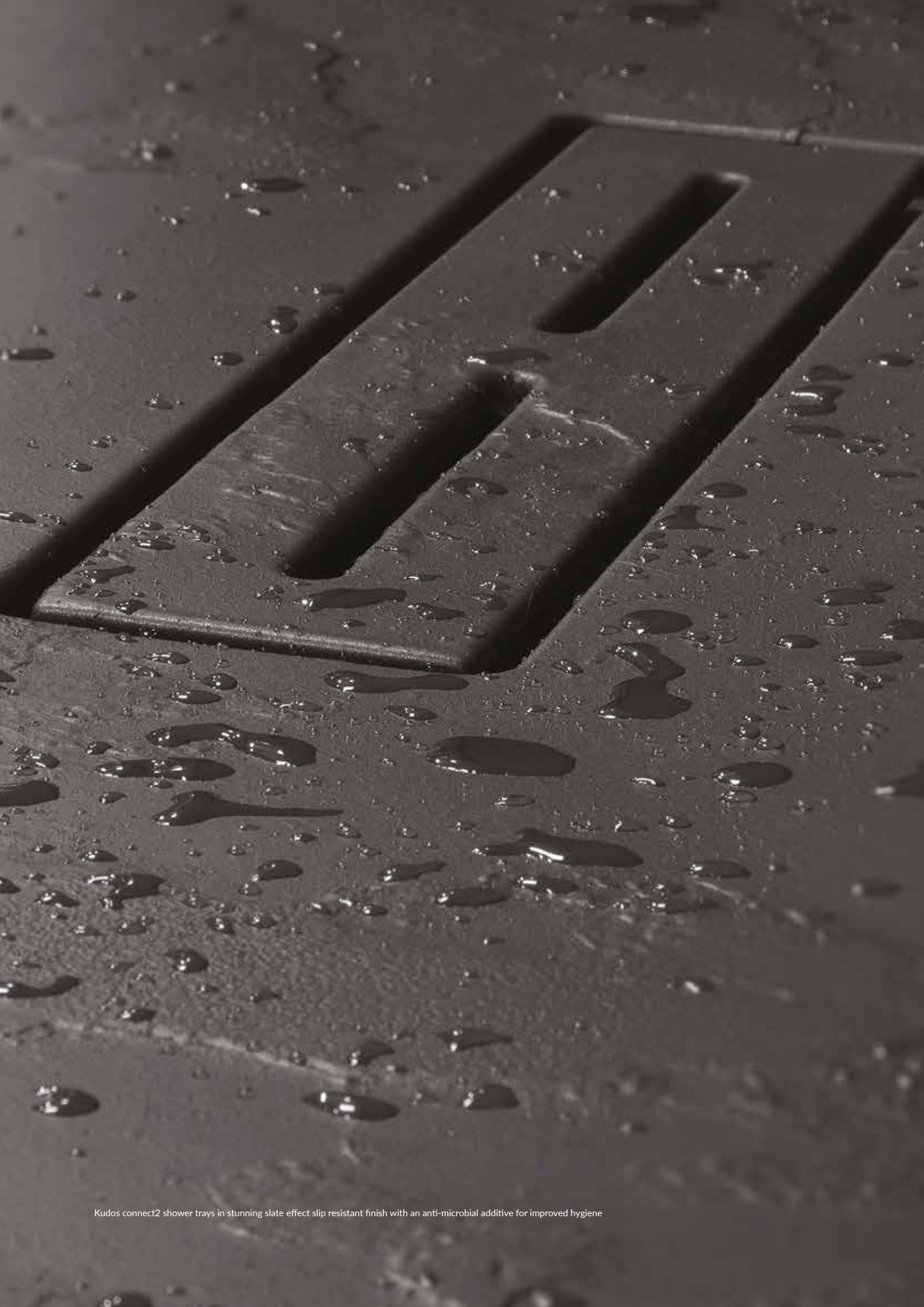
Download our latest pinnacle8 brochure
by **scanning the QR code** below.



TO DOWNLOAD
A BROCHURE







Kudos connect2 shower trays in stunning slate effect slip resistant finish with an anti-microbial additive for improved hygiene

shower tray collection

All structures are only as good as the foundations on which they are built and that is never more true than with shower enclosures. But despite this the choice of shower tray is often overlooked with more time spent focusing on the shower door or screen. The fact is that correcting an issue with an enclosure is relatively easy but if a fault develops with the tray it is often a major problem. So choosing the right shower tray is the single most important decision you can make when creating your dream shower.

The Kudos range of shower trays are designed in-house, manufactured in our own UK factories and have a reputation for outstanding quality and value for money. They provide the perfect foundation for the perfect shower and are backed by the Kudos Lifetime Guarantee for complete peace of mind.

All Kudos trays feature an acrylic capped ABS surface material for durability and increased resistance to impact damage, all are supported by a resin bonded stone filler for incredible stability. With 2 choices of design, Kstone or connect2, both in a choice of high gloss or a slip resistant matt finish in a large number of shapes and sizes. In addition the connect2 option is also available in a stunning slate effect finish.

connect²

shower trays

The stunning looking connect2 is a uniquely designed shower tray featuring two offset waste positions that ensures an obstruction free connection. Whether square, rectangular or quadrant - whatever the size, the connect2 tray will allow you to connect the waste fitting without the need to reposition joists or raise the tray onto a plinth.

Features

- + Available in three finishes:
 - High Gloss
 - SR finish (slip and stain resistant)
 - Slate effect
- + Unique design avoids the need to cut joists or lift the tray onto a plinth
- + Guaranteed to work with all standard joist sizes and spans
- + Structural resin bonded stone filler for increased stability
- + Super slim at only 35mm high
- + Supplied with a reinforced colour matched waste cover that is magnetically secured, comfortable underfoot and is easily removed for cleaning
- + Covered by the Kudos Lifetime Guarantee





connect²

shower trays

High Gloss

The high gloss acrylic capped ABS skin is durable as well as being resistant to impact damage and staining.

SR Finish

Slip & Stain Resistant

connect2 SR Trays feature the latest development in surface material which exceeds all EU standards for barefoot bathing. The slip resistant properties are embedded in the material, rather than a coating on the surface, meaning it cannot be removed and is comfortable to stand on. The textured surface provides a high level of stain resistance ensuring that your tray maintains a pristine appearance throughout its lifetime.



Slate Effect

connect2 slate effect trays feature an exclusive surface pattern taken directly from a piece of local slate for a truly authentic finish whilst maintaining the features and benefits of the acrylic surface material. It is both slip and stain resistant and also contains an anti-microbial additive to inhibit the growth of microbes including bacteria and mould.





A revolution in shower tray design



The unique design of the connect2 tray ensures obstruction free waste connection irrespective of joist position or direction.

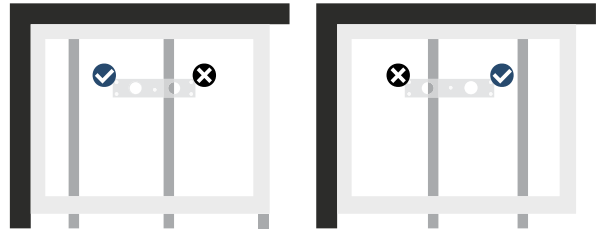


connect2 trays are supplied with a high flow waste and a blanking plug secured with solvent weld (not supplied) to block the unused waste hole.

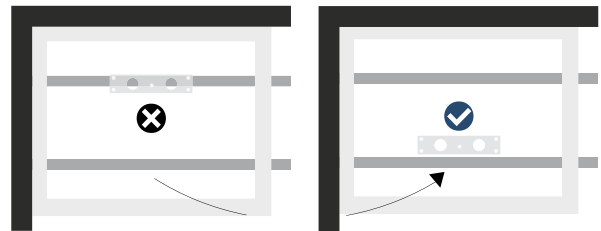


connect2 trays are supplied with a stylish colour matched linear waste cover, magnetically secured and reinforced for comfort and stability underfoot.

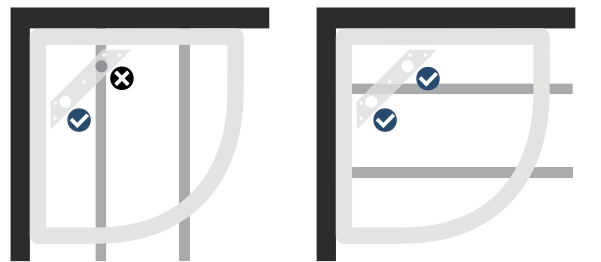
Whether square, rectangular or the quadrant - whatever the size, the connect2 tray will allow you to connect the waste fitting without the need to reposition joists or raise the tray onto a plinth.



Where joists run parallel to the width of the tray, at least one hole will always be clear.



Where joists run parallel to the length of the tray and both holes are obstructed, simply turn the tray 180°. The unique offset position will ensure both will become free.

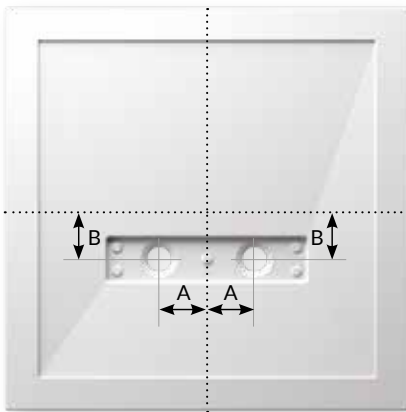


With the unique connect2 design even Quadrant and the Kudos unique Full Curve shape trays have the ability to avoid joists.

connect²

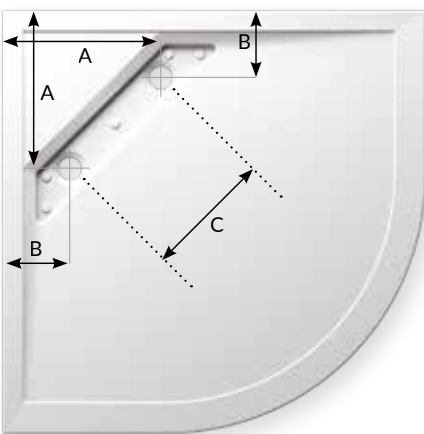
shower trays

Waste Locations



Square & Rectangular shower trays

Position of waste holes relative to the centre of each tray. **All sizes: A - 95mm B - 100mm**



Quadrant & Full Curve shower trays

Position of waste holes in relation to the 90° angle corner.

All sizes: A - 336mm B - 142mm C - 275mm

Codes & Dimensions

Size (Length x Width)		Standard High Gloss Product Code	SR (Slip Resistant) Product Code	Slate Finish Product Code
800mm x 800mm	SQUARE	C2T80	C2T80SR	C2T80SLGR
900mm x 900mm		C2T90	C2T90SR	C2T90SLGR
900mm x 800mm		C2T9080	C2T9080SR	C2T9080SLGR
1000mm x 800mm		C2T10080	C2T10080SR	C2T10080SLGR
1000mm x 900mm		C2T10090	C2T10090SR	C2T10090SLGR
1100mm x 800mm		C2T11080	C2T11080SR	C2T11080SLGR
1200mm x 800mm		C2T12080	C2T12080SR	C2T12080SLGR
1200mm x 900mm		C2T12090	C2T12090SR	C2T12090SLGR
1300mm x 800mm		C2T13080	C2T13080SR	C2T13080SLGR
1400mm x 700mm		C2T14070	C2T14070SR	C2T14070SLGR
1400mm x 800mm	RECTANGULAR	C2T14080	C2T14080SR	C2T14080SLGR
1400mm x 900mm		C2T14090	C2T14090SR	C2T14090SLGR
1500mm x 700mm		C2T15070	C2T15070SR	C2T15070SLGR
1500mm x 800mm		C2T15080	C2T15080SR	C2T15080SLGR
1500mm x 900mm		C2T15090	C2T15090SR	C2T15090SLGR
1600mm x 700mm		C2T16070	C2T16070SR	C2T16070SLGR
1600mm x 800mm		C2T16080	C2T16080SR	C2T16080SLGR
1600mm x 900mm		C2T16090	C2T16090SR	C2T16090SLGR
1700mm x 700mm		C2T17070	C2T17070SR	C2T17070SLGR
1700mm x 800mm		C2T17080	C2T17080SR	C2T17080SLGR
1700mm x 900mm	C2T17090	C2T17090SR	C2T17090SLGR	
900mm x 900mm Quadrant	QUADRANT	C2T90Q	C2T90QSR	C2T90QSLGR
1000mm x 1000mm Quadrant		C2TQ100	C2TQ100SR	C2TQ100SLGR
Offset Quadrant 900mm x 800mm†	OFFSET QUADRANT	C2TQ9080	C2TQ9080SR	C2TQ9080SLGR
Offset Quadrant 1000mm x 800mm†		C2TQ10080	C2TQ10080SR	C2TQ10080SLGR
Offset Quadrant 1000mm x 900mm†		C2TQ1090	C2TQ1090SR	C2TQ1090SLGR
Offset Quadrant 1200mm x 800mm†		C2TQ1280	C2TQ1280SR	C2TQ1280SLGR
Offset Quadrant 1200mm x 900mm†		C2TQ12090	C2TQ12090SR	C2TQ12090SLGR
Product Specific Trays ††				
Curved 910mm	CURVED	C2T91C	C2T91CSR	C2T91CSLGR
Offset Curved 1000mm x 810mm†		C2T10081C	C2T10081CSR	C2T10081CSLGR



† Please add **RH** or **LH** to the product code to indicate left or right handing.

†† Connect2 curved trays are product specific and are only suitable for use with Kudos Original6 enclosures.

Kstone

shower trays

Manufactured in our own UK factories and covered by a lifetime guarantee, Kstone trays are made from the highest quality materials with a structural resin bonded stone filler to provide incredible stability.

Kstone shower trays are available in rectangular, square, quadrant and offset quadrant shapes - in a wide range of sizes.

Features

- + Available in both High Gloss and SR Finish (slip and stain resistant)
- + Slim design at only 45mm high
- + Structured resin bonded stone filler for increased stability
- + Suitable for 90mm waste (supplied separately)
- + Extensive range of shapes and sizes available
- + Covered by the Kudos Lifetime Guarantee

High Gloss Shower Trays

The high gloss acrylic capped ABS skin is durable as well as being resistant to impact damage and staining.



Kstone high gloss shower tray

Slip Resistant Shower Trays

Kstone SR Trays feature the latest development in surface material which exceeds all EU standards for barefoot bathing. The slip resistant properties are embedded in the material, rather than a coating on the surface, meaning it cannot be removed and is comfortable to stand on. The textured surface provides a high level of stain resistance ensuring that your tray maintains a pristine appearance throughout its lifetime.



Kstone SR white shower tray

Now available in either white or slate grey



SR slate grey shower tray



Kstone shower trays provide incredible stability

Codes & Dimensions

Size (Length x Width)	Waste Position	Standard High Gloss Product Code	SR (Slip Resistant)* Product Code
760mm x 760mm		KS76	KS76SR
800mm x 800mm		KS80	KS80SR
900mm x 900mm		KS90	KS90SR
1000mm x 1000mm		KS100	KS100SR
SQUARE			
900mm x 700mm		KS9070	KS9070SR
900mm x 760mm		KS9076	KS9076SR
900mm x 800mm		KS9080	KS9080SR
1000mm x 700mm		KS10070	KS10070SR
1000mm x 760mm		KS10076	KS10076SR
1000mm x 800mm		KS10080	KS10080SR
1000mm x 900mm		KS10090	KS10090SR
1100mm x 700mm		KS11070	KS11070SR
1100mm x 760mm		KS11076	KS11076SR
1100mm x 800mm		KS11080	KS11080SR
1100mm x 900mm		KS11090	KS11090SR
1200mm x 700mm		KS12070	KS12070SR
1200mm x 760mm		KS12076	KS12076SR
1200mm x 800mm		KS12080	KS12080SR
1200mm x 900mm		KS12090	KS12090SR
1400mm x 700mm		KS14070	KS14070SR
1400mm x 800mm		KS14080	KS14080SR
1400mm x 900mm		KS14090	KS14090SR
RECTANGULAR			

Size (Length x Width)	Waste Position	Standard High Gloss Product Code	SR (Slip Resistant)* Product Code
1500mm x 700mm		KS15070	KS15070SR
1500mm x 800mm		KS15080	KS15080SR
1500mm x 900mm		KS15090	KS15090SR
1600mm x 700mm		KS16070	KS16070SR
1600mm x 800mm		KS16080	KS16080SR
1600mm x 900mm		KS16090	KS16090SR
1700mm x 700mm		KS17070	KS17070SR
1700mm x 800mm		KS17080	KS17080SR
1700mm x 900mm		KS17090	KS17090SR
RECTANGULAR			
800mm x 800mm		KSQ80	KSQ80SR
900mm x 900mm		KSQ90	KSQ90SR
1000mm x 1000mm		KSQ100	KSQ100SR
QUADRANT			
900mm x 760mm		KSQ9076	KSQ9076SR
900mm x 800mm		KSQ9080	KSQ9080SR
1000mm x 800mm		KSQ10080	KSQ10080SR
1000mm x 900mm		KSQ10090	KSQ10090SR
1200mm x 800mm		KSQ12080	KSQ12080SR
1200mm x 900mm		KSQ12090	KSQ12090SR
OFFSET QUADRANT**			

All Prices exclude waste

Note:

*Please add **GR** to slip resistant codes to order SR Grey

Please add **LH or **RH** to the product code to indicate left or right handing.

Shower Tray Wastes

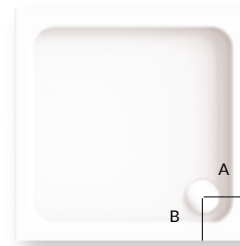
Wastes	Silver/Chrome Product Code	Matt Black Product Code	White Product Code
90mm Shower Tray waste and trap	DWA90S	DWA90SMBK	DWA90SWH

Kstone

shower trays

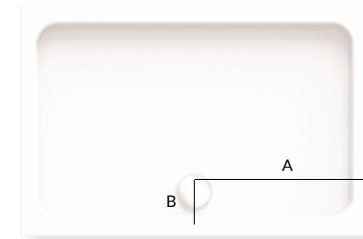
Shower Tray Waste Locations

Corner Location, Square & Rectangular	A	B
900mm x 900mm	140mm	140mm
1000mm x 900mm	155mm	155mm
1100mm x 900mm	155mm	155mm
All Other Sizes	150mm	150mm

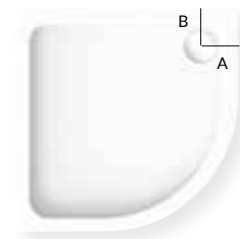


Corner Location, Rectangular	A	B
All Sizes	Centre Of Tray	160mm

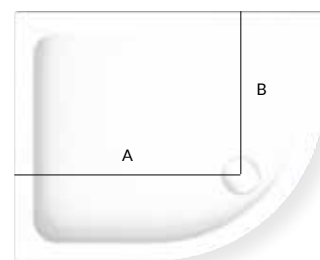
e.g. 1400mm x 800mm A = 700mm B = 160mm



Quadrant with corner waste location	A	B
800mm x 800mm Quadrant	150mm	150mm
1000mm x 1000mm Quadrant	135mm	135mm
900mm x 760mm Offset Quadrant	145mm	145mm
900mm x 800mm Offset Quadrant	145mm	145mm



Quadrant with centre waste location	A	B
900mm x 900mm Quadrant	645mm	645mm
1000mm x 800mm Offset Quadrant	732mm	532mm
1000mm x 900mm Offset Quadrant	732mm	632mm
1200mm x 800mm Offset Quadrant	925mm	525mm
1200mm x 900mm Offset Quadrant	935mm	625mm



FLEXI SEAL

for a perfect, watertight finish.

Flexi-Seal fits between the edge of the tray and any abutting wall. It provides a flexible seal behind the tiles or wall panels avoiding any issues caused by potential grout or silicone failure.

Flexi-Seal uses a combination of durable flexible rubber with a waterproof butyl based adhesive to give maximum protection where the shower tray meets the wall.

As the rubber is flexible, it will maintain a watertight seal whilst allowing for a certain amount of movement that is inevitable, particularly in new builds.



Description & Codes

Description	Product Code
Flexi-Seal 2m	KFS2
Flexi-Seal 3m	KFS3
Flexi-Seal 4m	KFS4

Shower Tray Leg Sets

All Kudos Shower Trays are designed to be fitted to either a wooden or concrete floor and should be fully supported. They can be raised off the floor by using a moisture proof board (min. 18mm) supported on a Kudos leg set (as shown in illustrations) or a timber structure. Leg sets are available in packs of 5 or 9 to suit all tray sizes.

Optional decorative Fascia Covers are available to match the material of Kudos Trays (see opposite page).



Description & Codes

Description	Product Code
Leg Set Pack of 5 for trays under 1200mm in length	165246
Leg set pack of 9 for quadrant and trays 1200mm and over	163872

Creating a raised plinth and fascia for Kudos shower trays

Creating a Fascia Panel

Straight Edge (Square & Rectangular) Trays

A Fascia panel can be created using a moisture resistant material (not supplied) which can then be painted, tiled or alternatively covered with a Kudos Acrylic Decorative Fascia Cover to match the tray material.

Full Curved & Bow Fronted Trays

Fascia panels for Full Curve or Bow Fronted trays require a flexible moisture material such as marine plywood, which can either be painted, tiled with mosaics or covered with a Kudos Decorative Acrylic Fascia Cover to match the finish of the tray.

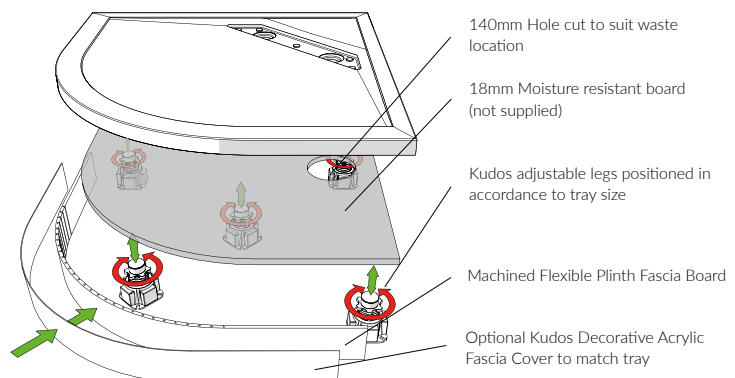
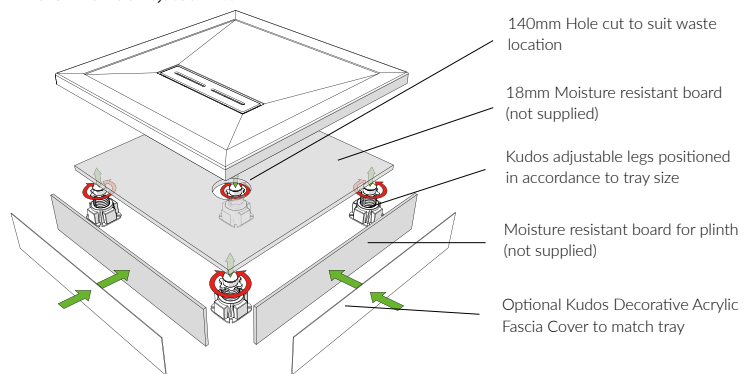
Creating a Fascia Panel for Kudos Quadrant Trays

The shape of Quadrant trays require the Fascia board material to be manufactured with machined cuts to enable the plinth to follow the shape of the tray. Kudos Quadrant Fascia Board is pre-machined for this purpose.

This can then be painted, tiled or covered with a Kudos Acrylic Decorative Fascia Cover.

Fascia Covers

Description	Product Code
Decorative Acrylic Fascia Cover 1200mm High Gloss Finish	168653
Decorative Acrylic Fascia Cover 1800mm High Gloss Finish	161491
Decorative Acrylic Fascia Cover 1200mm Matt SR Finish	163321
Decorative Acrylic Fascia Cover 1800mm Matt SR Finish	164758
Decorative Acrylic Fascia Cover 1200mm Slate Effect Finish	1686531
Decorative Acrylic Fascia Cover 1800mm Slate Effect Finish	1647581
Decorative Acrylic Fascia Cover 1200mm Grey SR Finish	1686532
Decorative Acrylic Fascia Cover 1800mm Grey SR Finish	1647582
Pre-machined cut flexible Plinth Fascia for Quadrant Trays	162136



Note:

In all cases the Acrylic Decorative Fascia Cover is not to be used without a suitable Fascia board.



aqua4ma

shower decks and wet-room system

Practical and sophisticated, it's easy to understand why there has been an increase in the number of wet-room installations. Space enhancing and easy to clean, these spa-like bathrooms represent the ultimate in luxury.

Kudos showers have long led the way in simplifying the installation of wet-rooms, with the iconic aqua4ma system having been installed in 1000s of UK homes, the installation process has been further simplified with the introduction of the aqua4ma Evolution wet-room system.

Versatile, reliable and backed by the Kudos lifetime guarantee, aqua4ma evolution and aqua4ma linear decks ensure that you will be able to find the wet-room foundation that is perfect for you.

Features

- + Quick and easy to install
- + Easily trimmed to fit or to avoid joist obstruction
- + Suitable for tiles and micro-cement
- + Fit anywhere in the home on wooden or solid floors
(see installation guide for full details)
- + Ready for tiling immediately with no wet trades required
- + Floor and wall panels for a total wet-room installation

aqua4ma

evolution shower decks

Versatile and easy to install, aqua4ma evolution has been developed to reflect the demand for lower-level, cost effective, wet-room solutions. Available in two style options, each featuring a 90mm waste, aqua4ma evolution can be installed anywhere in the house on wooden or solid floors and is guaranteed to be waterproof for life*.

The perfect partner to the ultimate range of enclosures, aqua4ma evolution can be used in just the showering area or on all walls and floors to create a fully watertight wet-room and is ready to tile/ finish on the same day as installation – saving you both time and money.

Features

- + Quick and easy to install
- + Easily trimmed to fit or to avoid joist obstruction
- + Overall depth of just 25mm
- + Suitable for tiles and micro-cement
- + Fit anywhere in the home on wooden or solid floors
- + Can be fitted at joist level on wooden floors*
- + Ready for tiling immediately
- + Use with aqua4ma floor and wall panels for a total wet-room solution
- + Lifetime Guarantee
- + British Made

* Decks should be fully supported by creating a false floor between joists



aqua4ma Evolution End Waste Shower Deck:

Measuring 1340 x 1000mm the aqua4ma Evolution End Waste Shower Deck can be easily trimmed from either (or both) sides or from either end that meets a wall.

End waste shower deck consists of:

- + 1340 x 1000mm Evolution Deck
- + Stainless steel waste support plate
- + 2 Side Levelling strips

Waste Assembly (order separately)

- + Tile thickness adjustment mouldings
- + Stainless steel waste grid (Polished Silver or Matt Black)
- + 90mm waste



aqua4ma Evolution Centre Waste Shower Deck:

Available in 7 sizes the aqua4ma Evolution Centre Waste Shower Deck offers a versatile solution for any wet-room installation. Each deck can be trimmed from any side that meets a wall.

Centre waste shower deck consists of:

- + Evolution Deck
- + Stainless steel waste support plate

Waste Assembly (order separately)

- + Tile thickness adjustment mouldings
- + Stainless steel waste grid (Polished Silver or Matt Black)
- + 90mm waste

aqua4ma evolution end waste deck



aqua4ma

linear shower deck

Versatile and easy to install, aqua4ma linear is an ultra low-level (just 19mm deep), cost effective, wet-room solution. Featuring a stylish tileable waste cover and a 90mm waste, aqua4ma linear can be installed anywhere in the house on wooden or solid floors and is guaranteed to be waterproof for life*.

The perfect partner to the ultimate range of enclosures, aqua4ma linear can be used in just the showering area or on all walls and floors to create a fully watertight wet-room and is ready to tile/ finish on the same day as installation – saving you both time and money.

Features

- + Quick and easy to install
- + Easily trimmed to fit or avoid joist obstruction
- + Overall depth of 19mm
- + For use with tiles
- + Fit anywhere in the home on wooden or solid floors
- + Can be installed flush with existing floor boards
- + Ready for tiling straight away with no wet trades required
- + Use with aqua4ma floor and wall panels for a total wet-room solution
- + Lifetime guarantee



Linear shower deck consists of:

- + 1330 x 1000mm shower deck
- + Stainless steel tray
- + 2 sided levelling strips
- + 1 tube of adhesive

Waste Assembly (order separately):

- + 90mm waste for linear



aqua4ma

panels

The aqua4ma range of wall and floor panels allow you to create a water tight space that meets your requirements. aqua4ma panels provide the versatility and peace of mind you're looking for.

aqua4ma panels are available in 4 thicknesses: 7mm, 15mm, 19mm (for use with aqua4ma linear only) and 25mm. With either 2 or 3 panels in a pack (with the exception of 25mm which are available in either singles or a 2 pack), the panels measure 1200 x 800mm providing a square metre of coverage. As with aqua4ma shower decks the shower panels are easily trimmable and can be fitted to either floor or walls using either screws or flexible tile adhesive as appropriate.



aqua4ma 7mm panels

Perfect for creating a fully waterproof floor, aqua4ma 7mm panels can be used (on top of plywood as necessary) to create level access by raising the floor to the same level as the deck ready for tiling. The 7mm panels can also be affixed to solid walls to create watertight walls.

aqua4ma 15mm panels

The 15mm tongue and grooved panels can be screwed directly to battens in place of plasterboard and, as the material self seals around screws, no washers or additional sealing is necessary. The above illustration shows how the 15mm panels can be used to box in pipe work as necessary too.

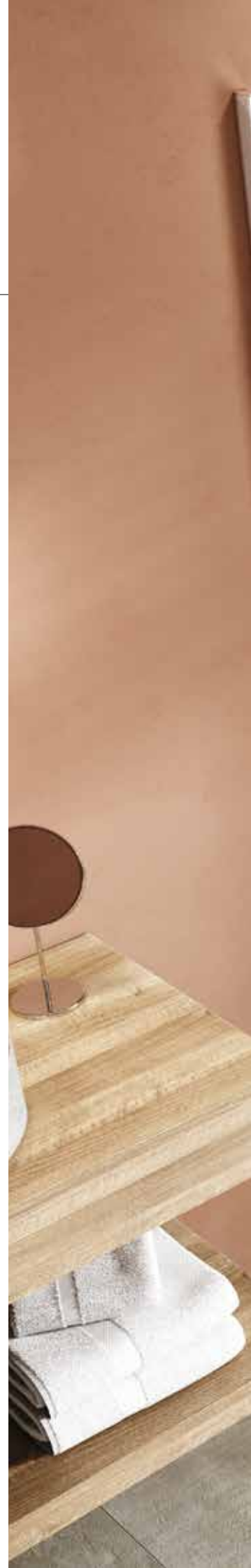
aqua4ma 19mm panels

For use with the aqua4ma linear decks, the 19mm panels can be used to create level access when using Aqua4ma linear. The panels are the same depth as the deck allowing you to extend the waterproof area quickly and easily, simply bond the joints with aqua4ma solvent weld for a fully watertight floor.

aqua4ma 25mm panels

For use with the aqua4ma evolution decks, the 25mm panels can be used to create level access when using aqua4ma evolution. The panels are the same depth as the deck allowing you to extend the waterproof area quickly and easily, simply bond the joints with aqua4ma solvent weld for a fully watertight floor.

You can use these 25mm panels to make a seat, for shelving, for boxing or any structure you wish to create! Simply solvent weld and screw the panels together and to the aqua4ma wall/ floor panels.



aqua4ma evolution centre waste deck



Choosing what you need to create your perfect wet-room

Product Codes

Evolution Shower Decks

Centre Waste Decks	Product Code
1000mm x 900mm	WREV10090CW
1200mm x 900mm	WREV12090CW
1400mm x 900mm	WREV14090CW
1600mm x 900mm	WREV16090CW
1800mm x 900mm	WREV18090CW
2000mm x 900mm	WREV20090CW
1200mm x 1200mm	WREV120120CW

aqua4ma Shower Panels

Panel Sizes	Product Code
1200 x 800 x 7mm Pack of 2 (1.92m ²)	WRAQ72
1200 x 800 x 7mm Pack of 3 (2.88m ²)	WRAQ73
1200 x 800 x 15mm Pack of 2 (1.92m ²)	WRAQ152
1200 x 800 x 15mm Pack of 3 (2.88m ²)	WRAQ153
1200 x 800 x 25mm Pack of 1 (0.96m ²)	WRAQ251
1200 x 800 x 25mm Pack of 2 (1.92m ²)	WRAQ252

aqua4ma Skirting†

Skirting	Product Code
1200mm x 75mm (Pack of 4)	WRAQSK134

†For a perfect, watertight, installation Aqua4ma skirting or wall panels should be fitted wherever Aqua4ma decks or floor panels meet a wall

Solvent Weld

aqua4ma Solvent Weld	Product Code
310ml Tube**	WRSW

**Solvent weld paste will join approx. 10 linear metres per tube

Evolution Shower Deck

End Waste Deck	Product Code
1340mm x 1000mm	WREV134100EW

Evolution Wastes

Wastes*	Product Code
Polished Stainless Steel	WRWAE
Matt Black	WRWAEMBK

*aqua4ma Waste is required



Scan the QR code for more information and watch the aqua4ma video

Linear Shower Deck

Deck Sizes	Product Code
1330 x 1000 Linear Shower Deck Kit	WRL133100

Linear Waste

Wastes*	Product Code
Waste For Linear	WRWAL

*aqua4ma Waste is required

Linear Shower Panels

Panel Packs	Product Code
1200 x 800 x 19mm Pack of 2	WRAQ192
1200 x 800 x 19mm Pack of 3	WRAQ193





over-bath screens collection

Over-bath showering has long been considered a compromise of practicality over style and performance, but not anymore. The over-bath screen collection by Kudos makes no such compromise.

Kudos has been making high quality showering products for over 20 years, hand-assembled using the best materials, our stunning collection of over-bath panels is designed to complement your bathroom space, whilst providing the benefit of a high performance showering facility. All screens and panels are treated with Lifeshield glass protection for easy cleaning and are covered by the Kudos Lifetime guarantee.

The Kudos over-bath showering collection is comprised of two distinct ranges.

inspire:

Characterised by minimalist frameless design and innovative technologies including click-to-lock hinges to hold your screen in place and our unique.

SmartSeal Technology, available in single, two, three and four panel options. Featuring toughened safety glass throughout, our 6mm range is now available in either a chrome or matt black finish.

ultimate10:

Based on the Kudos ultimate walk-in shower enclosure system, ultimate fixed shower panels offer a simple yet elegant solution to over-bath showering. Available in 4 panel sizes in stunning 10mm toughened safety glass with Lifeshield™ coating and a choice of fixings, you can create combinations to suit virtually all situations. With Silver/Chrome, Matt Black, Brushed/Polished Gold and Brushed or Bright Nickel finishes, the options are almost limitless.

A retro-fit foldaway deflector panel allows for smaller front panels to be fitted to give maximum access to the bath whilst ensuring that when showering the spray is contained with the bathing

inspire

single panel screens

Kudos Single Panel Bath Screens are larger than average, measuring 1500mm high and 850mm wide, to provide a more generous showering area.

For added comfort and convenience, Single Panel Bath Screens are available with an integrated rail so you can keep your towel conveniently within reach.

SmartSeal Technology incorporates integrated mouldings and twin element seals, delivering the ultimate shower protection.

Features

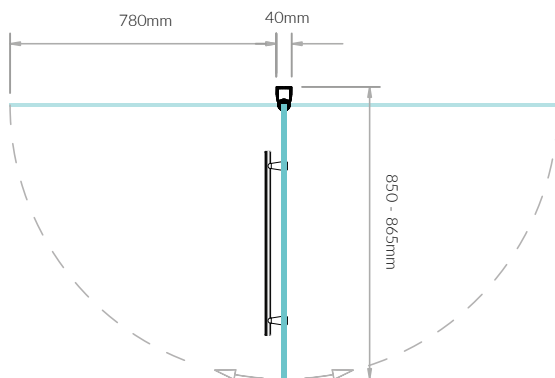
- + 6mm or 8mm glass options
- + Reversible for left or right hand fixing
- + Optional towel rail
- + SmartSeal technology
- + Lifetime Guarantee
- + Toughened safety glass with Lifeshield™ protection
- + Adjustment for out of true walls

Codes & Demsions

Bath Screens	Chrome Product Code	Matt Black Product Code
Single Panel 6 mm	3BASC6NHS	3BASC6NHSMBK
Single Panel 6 mm including towel rail	3BASC6S	3BASC6SMBK
Single Panel 8 mm	3BASC8NHS	-
Single Panel 8 mm including towel rail	3BASC8S	-

Note: Kudos Bath screens are designed to fit on most standard straight edge baths. For best performance and water retention all fixed and moving panels should be parallel to the inner edge of the bath.

Overhead Diagram



Dimensions: H: 1500mm x W: 850mm



Optional towel rail





inspire

two panel out-swing screens

Kudos Two Panel Out Swing Screens are designed to provide an extended showering area of 950mm, yet still provide easy access to the bath.

Featuring a 305mm fixed panel that is permanently sealed to the bath and providing absolute showering protection. The larger 645mm panel opens out to allow access to shower controls and cleaning.

With Click-to-Lock hinges holding the screen in position, Out-Swing Bath Screens are also available with an integrated rail so you can keep your towel conveniently within reach.

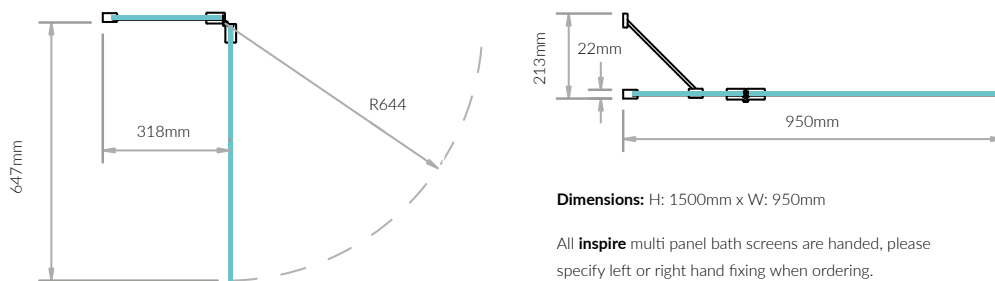
Features

- + 6mm or 8mm glass options
- + Optional towel rail
- + Click-to-Lock hinges
- + SmartSeal technology
- + Lifetime Guarantee
- + Toughened safety glass with Lifeshield™ protection
- + Adjustment for out of true walls

Codes & Dimensions

Bath Screens	Chrome Product Code	Matt Black Product Code
Two Panel Out-Swing 6mm - LH	4BASC2PFOUHLHS	4BASC2PFOUHLHSMBK
Two Panel Out-Swing 6mm - RH	4BASC2PFOURHS	4BASC2PFOURHSMBK
Two Panel Out-Swing 6mm - including towel rail - LH	4BASC2PO6L	4BASC2PO6LMBK
Two Panel Out-Swing 6mm - including towel rail - RH	4BASC2PO6R	4BASC2PO6RMBK
Two Panel Out-Swing 8mm - LH	4BASC2PO8NHL	-
Two Panel Out-Swing 8mm - RH	4BASC2PO8NHR	-
Two Panel Out-Swing 8mm - including towel rail - LH	4BASC2PO8L	-
Two Panel Out-Swing 8mm - including towel rail - RH	4BASC2PO8R	-

Overhead Diagram



Note: Kudos Bath screens are designed to fit on most standard straight edge baths. For best performance and water retention all fixed and moving panels should be parallel to the inner edge of the bath.





inspire

two panel in-fold screens

Kudos Two Panel In-Fold Screens feature a 500mm fixed panel that is permanently fixed to the bath and a smaller 375mm in-folding panel which sits behind the fixed panel when not in use, allowing easy access to the bath.

When in use the two panels provide a generous 875mm showering area. High quality Click-to-Lock hinges secure the screen so it is positioned along the inner edge of the bath.

Features

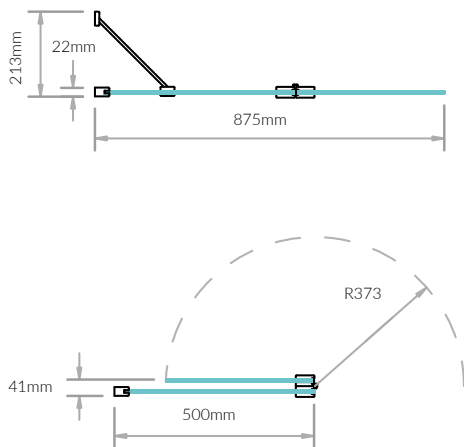
- + 6mm or 8mm glass options
- + Optional towel rail
- + Click-to-Lock hinges
- + SmartSeal technology
- + Lifetime Guarantee
- + Toughened safety glass with Lifeshield™ protection
- + Adjustment for out of true walls

Codes & Dimensions

Bath Screens	Chrome Product Code	Matt Black Product Code
Two Panel In-Fold 6mm - LH	4BASCDUOLHS	4BASCDUOLHSMBK
Two Panel In-Fold 6mm - RH	4BASCDUORHS	4BASCDUORHSMBK
Two Panel In-Fold 8mm - LH	4BASCDUO8LH	-
Two Panel In-Fold 8mm - RH	4BASCDUO8RH	-

Note: Kudos Bath screens are designed to fit on most standard straight edge baths. For best performance and water retention all fixed and moving panels should be parallel to the inner edge of the bath.

Overhead Diagram



Two panel in closed position

Dimensions: H: 1500mm x W: 875mm

All **inspire** multi-panel bath screens are handed, please specify left or right hand fixing when ordering.





inspire

three panel in-fold screens

The stunning Kudos Three Panel In-Fold Screen is the ultimate in over-bath showering protection.

The screen extends to 1250mm, yet folds to just 500mm when not in use providing the features of a relaxing bath as well as the benefit of an oversized shower area. Featuring unique Click-to-Lock hinges to ensure the panels remain in-line when in use.

Features

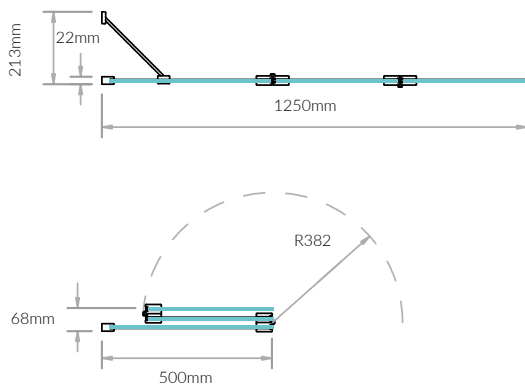
- + 6mm glass option only
- + Lifetime Guarantee
- + Adjustment for out of true walls
- + Click-to-Lock hinges
- + SmartSeal technology
- + Toughened safety glass with Lifeshield™ protection

Codes & Dimensions

Panel Options	Chrome Product Code	Matt Black Product Code
Three Panel In-Fold 6mm - LH	BASCTRIPLEPLHS	BASCTRIPLEPLHSMBK
Three Panel In-Fold 6mm - RH	BASCTRIPLEPRHS	BASCTRIPLEPRHSMBK

Note: Kudos Bath screens are designed to fit on most standard straight edge baths. For best performance and water retention all fixed and moving panels should be parallel to the inner edge of the bath.

Overhead Diagram



Dimensions: H:1500mm x W:1250mm

All **inspire** multi-panel bath screens are handed, please specify left or right hand fixing when ordering.



Three panel in closed position





inspire

four panel in-fold screens

For greater access to the bath without compromising on shower protection, the Kudos Four Panel In-Fold Screen is the solution.

Each of the three 215mm hinged panels sit comfortably behind the 305mm fixed panel providing virtually unimpeded access to the bath, yet when in use extends to 950mm for excellent showering protection.

Features

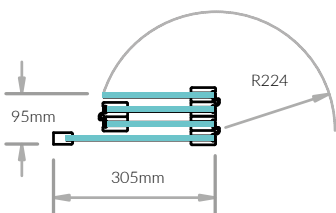
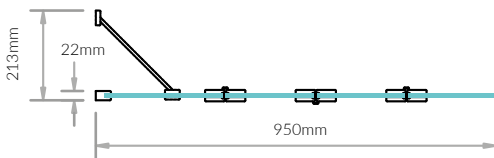
- + 6mm glass option only
- + Lifetime Guarantee
- + Adjustment for out of true walls
- + Click-to-Lock hinges
- + SmartSeal technology
- + Toughened safety glass with Lifeshield™ protection

Codes & Dimensions

Bath Screens	Chrome Product Code	Matt Black Product Code
Four Panel In-Fold 6mm - LH	4BASCOMPLHS	4BASCOMPLHSMBK
Four Panel In-Fold 6mm - RH	4BASCOMPRHS	4BASCOMPRHSMBK

Note: Kudos Bath screens are designed to fit on most standard straight edge baths. For best performance and water retention all fixed and moving panels should be parallel to the inner edge of the bath.

Overhead Diagram



Dimensions: H:1500mm x W:950mm

All **inspire** multi-panel bath screens are handed, please specify left or right hand fixing when ordering.



Four panel in closed position





inspire

shower panel & integrated rail

The Kudos Over-Bath Shower Panel with integrated shower rail delivers the ultimate protection from water spillage. Its robust construction makes it ideal for use with the most powerful shower systems and its stylish and attractive design will complement any bathroom.

The bowed rail provides increased elbow room and pushes the shower curtain against the bath which helps prevent the curtain billowing and clinging to the bather.

Features

- + 8mm toughened glass with Lifeshield™ protection
- + Fixed panel at 1500mm high x 350mm wide
- + Reversible for left or right hand fixing
- + 20mm wallpost adjustment for out-of-true walls
- + Bowed rail for greater space and comfort

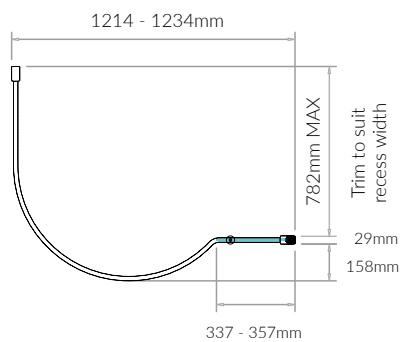
Codes & Dimensions

Bath Screens	Product Code
*Shower Panel & Rail (Recess)	5OBSPBRR
*Shower Panel & Rail *Recess (Corner)	5OBSPBCR

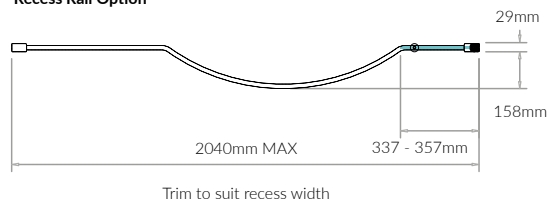
* shower curtain and hooks not included

Overhead Diagram

Corner Rail Option



Recess Rail Option





+ Recessed integrated shower rail

ultimate¹⁰

over-bath panels

Based on the Kudos ultimate walk-in shower enclosure system, ultimate fixed shower panels offer a simple yet elegant solution to over-bath showering. Available in 4 panel sizes in stunning 10mm toughened safety glass with Lifeshield™ coating and a choice of fixings, you can create combinations to suit virtually all situations. With Silver/Chrome, Matt Black, Brushed/Polished Gold and Brushed or Bright Nickel finishes, the options are almost limitless.

A retro-fit Foldaway deflector panel allows for smaller front panels to be fitted to give maximum access to the bath whilst ensuring that when showering the spray is contained within the bathing area.

Features

- + Lifetime Guarantee
- + 10mm Toughened safety glass with Lifeshield™ protection
- + Adjustment for out of true walls



1. 800mm panel, L/H fold away deflector panel, front panel fixing kit and wall post

2. 800mm panel, 700mm panel, R/H fold away deflector panel, front panel fixing kit and wall post



A flexible, innovative, approach to over-bath showering.



+ Single panel with right hand deflector panel, angled fixing kit and wall post

Foldaway deflector panels

The ultimate over-bath foldaway deflector panel when in use helps keep water inside the bath and when not in use folds neatly behind the front panel leaving access to the bath.



Colour Finishes

Kudos ultimate fittings are available in Chrome/Silver, Matt Black, Brushed Nickel and Brushed Gold. In addition both Bright Nickel and Polished Gold are available to special order.



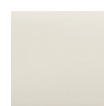
Silver/Chrome



Matt Black



Brushed Nickel



Bright Nickel



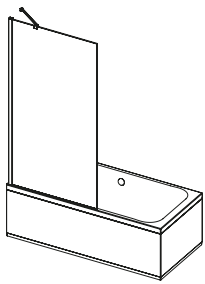
Brushed Gold



Polished Gold

Configurations

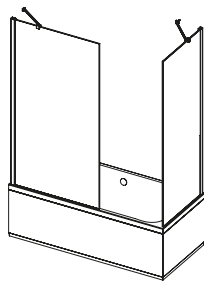
Illustrations show some of the configurations possible with the Kudos ultimate over-bath shower panel system. Each option shows the components required, to which a foldaway deflector kit can be added.



Single Panel

1 x Glass Panel
1 x Wall Post
1 x Front Panel Fixing Kit*

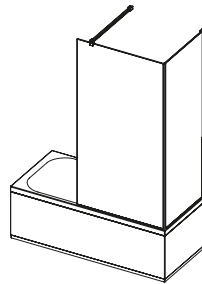
**Standard, Ceiling or Angled*



Corner

1 x Glass Panel (Front)
1 x Glass Panel (End)
2 x Wall Post
1 x Front Panel Fixing Kit*
1 x Side Panel Fixing Kit*

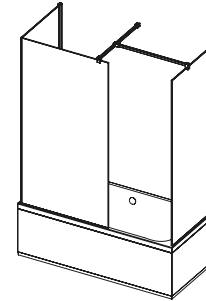
**Standard, Ceiling or Angled*



Corner (glass to glass)

1 x Glass Panel (Front)
1 x Glass Panel (End)
1 x Wall Post
1 x Front Panel Fixing Kit*
1 x Corner Seal

**Standard, or Ceiling*



Three Sided

1 x Glass Panel (Front)
2 x Glass Panels (End)
2 x Wall Posts
1 x Front Panel Fixing Kit*
1 x Side Panel Fixing Kit*
1 x Corner Seal

**Standard, or Ceiling*

Glass Panels

Description	Product Code
700mm x 1600mm (10mm Glass Panel)	10BSWP700
750mm x 1600mm (10mm Glass Panel)	10BSWP750
800mm x 1600mm (10mm Glass Panel)	10BSWP800
900mm x 1600mm (10mm Glass Panel)	10BSWP900

Fixings & Deflector Panels

Codes & Dimensions

Description	Silver/Chrome Product Code	Matt Black Product Code	Brushed Nickel Product Code	Bright Nickel Product Code	Brushed Gold Product Code	Polished Gold Product Code
Wall Post	10BSBSWPK	10BSBSWPKMBK	10BSBSWPK BRN	10BSBSWPK BN	10BSBSWPK BRG	10BSBSWPK PG
Front Panel Fixing Kit	10WPFPFK	10WPFPFKMBK	10WPFPFKBRN	10WPFPFKBN	10WPFPFKBRG	10WPFPFKPG
Side Panel Fixing Kit	10WPSPFK	10WPSPFKMBK	10WPSPFKBRN	10WPSPFKBN	10WPSPFKBRG	10WPSPFKPG
300mm Angled Fixing Kit	10WPGW30	10WPGW30MBK	10WPGW30BRN	10WPGW30BN	10WPGW30BRG	10WPGW30PG
Glass to Ceiling Fixing Kit	10WPGC	10WPGCMBK	10WPGCBRN	10WPGCBN	10WPGCBRG	10WPGCPG
Glass to Glass Corner Seal	10BSWPCS	-	-	-	-	-
Foldaway Hinged Deflector Kit (Left Hand)*	10BSWPFADPLH	10BSWPFADPLHMBK	10BSWPFADPLHBRN	10BSWPFADPLHBN	10BSWPFADPLHBRG	10BSWPFADPLHPG
Foldaway Hinged Deflector Kit (Right Hand)*	10BSWPFADPRH	10BSWPFADPRHMBK	10BSWPFADPRHBRN	10BSWPFADPRHBN	10BSWPFADPRHBRG	10BSWPFADPRHPG

* Deflectors are handed by which side the hinges are located. Refer to page 14 for more information



bespoke solutions

Our extensive range of products cover a vast array of showering solutions with an unrivalled selection of over-bath screens, enclosures and shower panels.

However, on occasions a standard sized product just will not suit the situation, in which case our Bespoke Service may be able to help. Many products within the Kudos range can be tailor made to meet your requirements, whether it is a one-off special size shower door, a shaped panel to accommodate a sloping ceiling or a special design enclosure or bath screen for a housing development or hotel.

Whilst not all products can be made to measure we will apply our knowledge and expertise to try and provide you with a solution that meets your needs.

Bespoke showering solutions designed especially for you.

Signature *by* KUDOS

Made to measure bespoke shower enclosures built by our expert engineers to your specifications

If you're converting loft space, a small room with sloping or low ceilings or simply looking for something a little bit different, then our bespoke service 'Signature by Kudos' may be what you're looking for.

A number of products within the Kudos collection can be tailor made to meet your requirements, available in either chrome or matt black finishes with a number of glass options, our team of experts will work with you to try and provide you with a solution that meets your requirements.

*Glass Options



Frosted



Bronze Tint



Smoke Grey

*Despite every effort to provide accurate images of each product's colour and design, actual colours and design may vary slightly.

How it works...

Step 1:

Contact your Kudos Retailer who will send us a rough drawing of what you're trying to achieve and/or the space available, we will let you know if we are able to make something suitable and provide you with a guide price.

Step 2:

If you wish to proceed further we will require accurate drawings of the space available, for a small cost we can offer a measuring service, alternatively you can provide your own measurements.

Step 3:

Once final measurements have been received we will provide an engineering drawing, a final price and an estimated delivery date.

Step 4:

The next stage is for you to sign off the drawings, at this stage a deposit, payable to your chosen Kudos retailer, will be required.

Step 5:

Once your product is ready we will arrange for delivery and if you have opted for the supply and fit option our engineer will schedule an installation date.



K KUDOS

Kudos Shower Products Ltd

Elmsfield Park, Holme

Cumbria LA6 1RJ

United Kingdom

Telephone: +44 (0)1539 564040

Fax: +44 (0)1539 564141

Email: sales@kudosshowers.co.uk

www.kudosshowers.co.uk



Version: 1.0 - 03/2023